

TRACKING SYSTEMS

- Plastil have developed tracking systems to optimize functional space taken up by the shutter and therefore maximizing the usable space in the cabinet

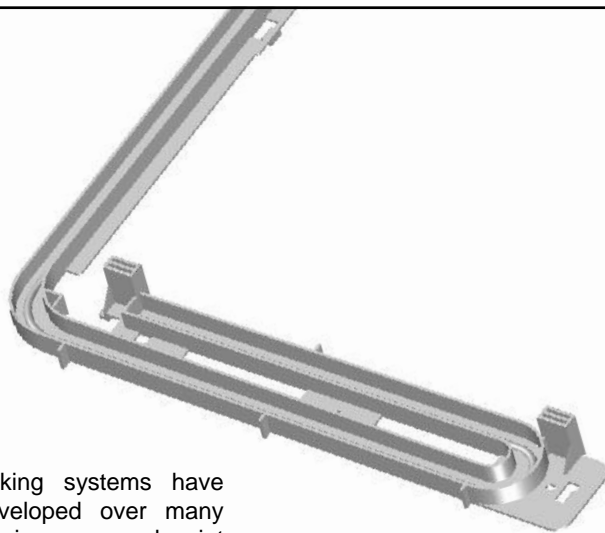
- A full range of tracking is available to match the requirements of steel or wooden cabinets of various sizes.

- Our tracking systems can match various shutter thicknesses and different types of terminating slams.

- As our customers have specific requirements, Plastil offer to develop bespoke tracking systems

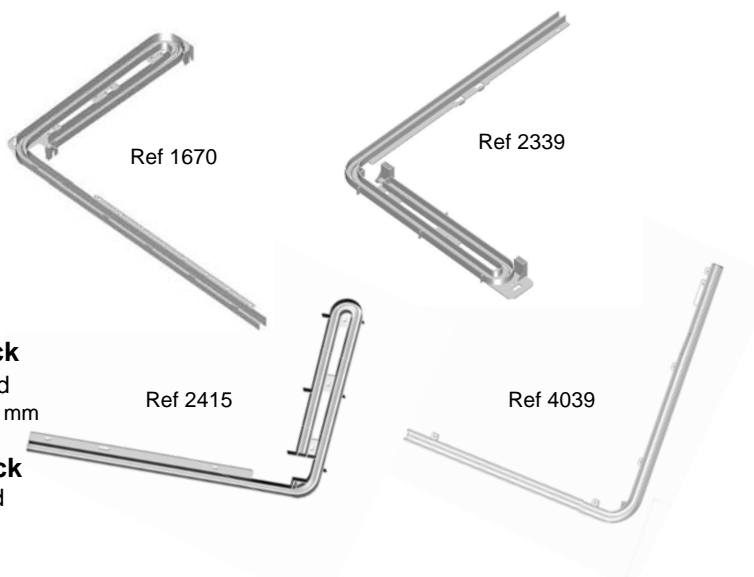
- Accessories i.e. centre stops complement the system and match various terminating slams.

Our tracking systems have been developed over many years to give easy and quiet operation whilst maintaining optimum space in the cabinets.



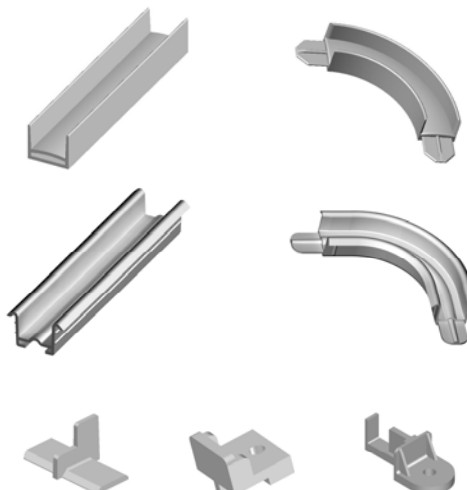
MOULDED TRACK

	reference	description
Tracking	1670	clip in track
		Width 68 mm X length 385 mm / front length 603,5 mm
Tracking	2339/2340	clip in track
		Width 62,4 mm X length 390 mm / front length 497,5 or 597 mm
Tracking	2414/2415	surface mounted track
		– to be screwed or riveted
		Width 56,2 to 70,5 mm X length 361,7mm / front length 497,5 to 597 mm
Tracking	4039/4040	Surface mounted track
		- to be screwed or riveted
		Side length 474 mm / Front length 493 mm



SELF ASSEMBLY TRACKING KITS

	reference	description
Tracking	765	track
Corner	2109	90° corner To be screwed
Tracking	1165	recessed track
Corner	2843	recessed corner System aimed at wooden cabinets



ACCESSORIES

Centre stops : available for various types of tracking and terminating slams.

Please contact us for your specific requirements