

## SPACE SAVING APPLICATIONS

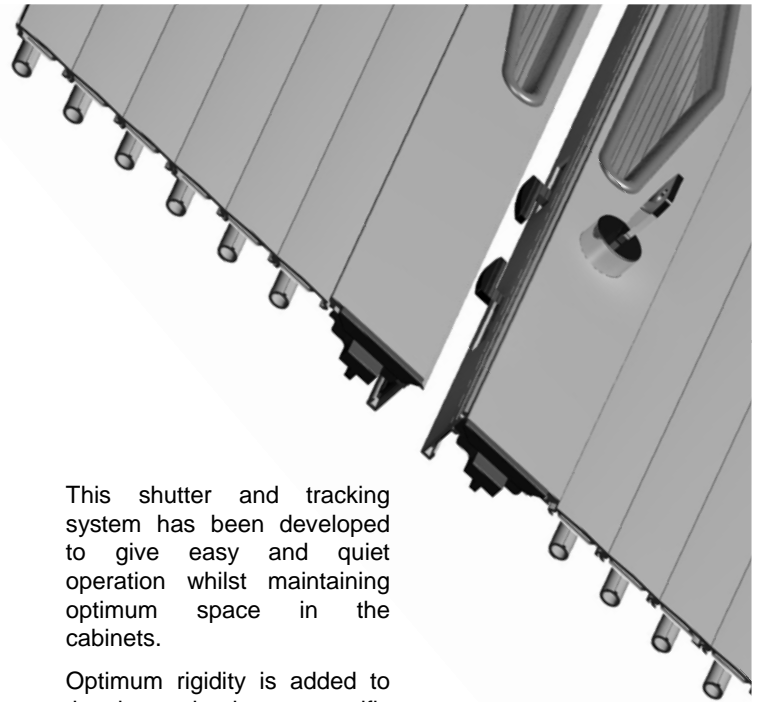
- Plastil have developed systems to minimize functional space taken up by the shutter and therefore maximizing the usable space in cabinets

- The system shown on this page is mainly aimed at side opening cabinets up to 2 metre high.

- It comprises a milled shutter with a T shape tracking

- Accessories can complement the system : centre stops and various types of locks and handles for the shutter.

- Standard colours are offered to suit every customer's requirements : plain, woodgrain, aluminium finishes.

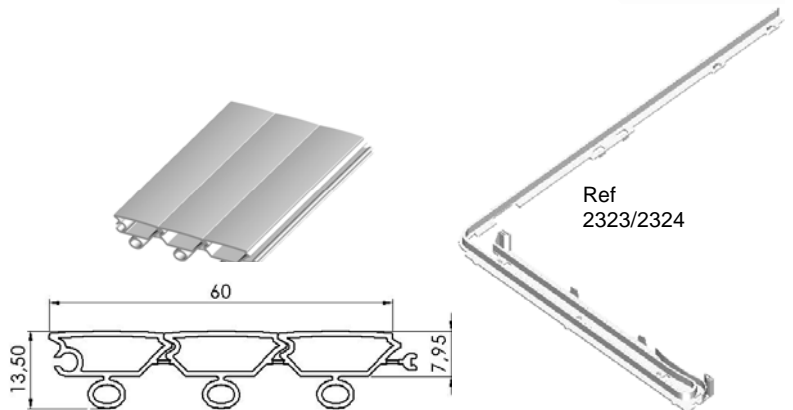


This shutter and tracking system has been developed to give easy and quiet operation whilst maintaining optimum space in the cabinets.

Optimum rigidity is added to the shutter thanks to a specific geometry.

## SHUTTER / TRACKING SYSTEM

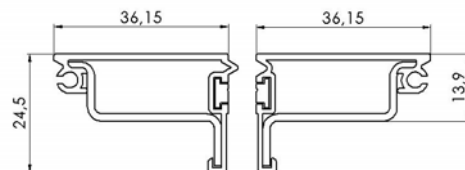
reference	description
Shutter profile <b>867</b>	smooth double slat 3 X 20 mm
Tracking <b>2323/2324</b>	T shape clip in track Width 51 mm X length 440 mm / front length 496 mm or 594,5 mrr



## TERMINAL SLAM

**PVC cover slat with steel reinforcement**  
ref 868/869 (With or without magnet)

Our terminal can be supplied fully assembled ready to fit straight in your cabinet reducing your production time



## ACCESSORIES

**Magnet** : recommended to give positive operation on closing

**Handles** : recessed or surface mounted  
Please contact us for specific requirements. Cover slat can be punched to specific shape and size requirements.

**Locks** : 1 point, 2 point, multi point

**Track** : see our leaflet to find the most suitable tracking system for your cabinet.

