

PVC SIDE OPENING SHUTTER SYSTEMS

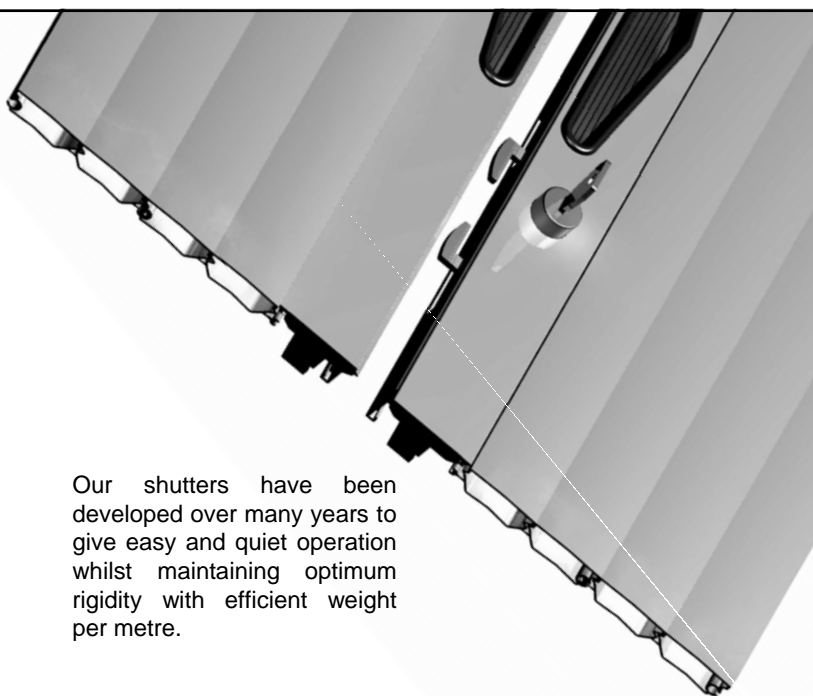
- This system is mainly aimed at side opening cabinets up to 2 metre high.

- A full range of tracking is available to match the requirements of steel or wooden cabinets of various sizes.

- Other accessories can complement the system : various types of locks and handles.

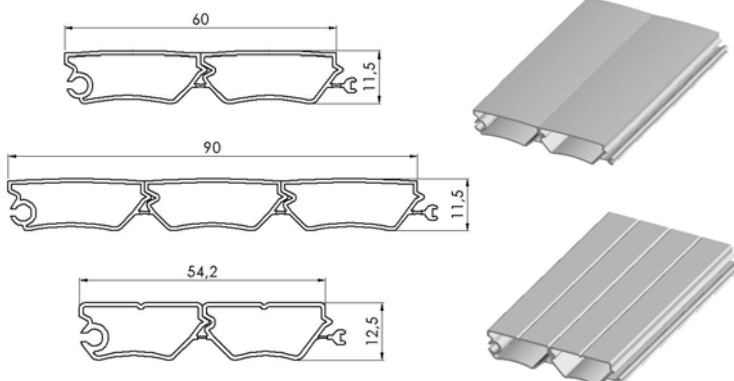
- Standard colours are offered to suit every customer's requirements : plain, woodgrain, aluminium finishes.

Our shutters have been developed over many years to give easy and quiet operation whilst maintaining optimum rigidity with efficient weight per metre.



SHUTTER PROFILES

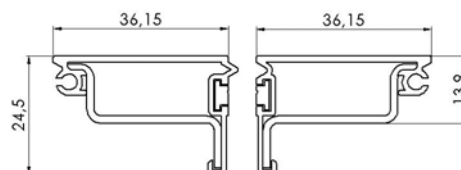
	reference	description
Shutter profile	839	smooth double slat 2 X 30 mm
Shutter profile	948	smooth triple slat 3 X 30 mm
Shutter profile	600	notched double slat 2 X 27,1mm



TERMINAL SLAM

Steel terminal + cover slat (With or without magnet)
ref 868/869

Our terminal can be supplied fully assembled ready to fit straight in your cabinet reducing your production time



ACCESSORIES

Magnet : recommended as it gives a touch of quality on closing

Handles : recessed or surface mounted
Please contact us for specific requirements. Cover slat can be punched to specific shape and size requirements.

Locks : 1 point, 2 point, multi point

Track : see our leaflet to find the most suitable tracking system for your cabinet.

